

Reference301 Series

PD-301



CD Player /FM Tuner



Ideal CD player and FM tuner for use with other 301 Reference Series components also supports RDS and USB memory playback

■Main functions

- High-precision slot-in CD drive mechanism with Quick-loading and Automatic Playback
- Supports CD-DA, MP3 and WMA files on CD-ROM/R/RW discs
- Front USB Port for WAV, AAC, MP3 and WMA Playback
- Built-in FM tuner supports RDS (RDS for UK/Europe model only)
- All-aluminum enclosure provides both vibration resistance and a stylish appearance
- At only 215 mm wide and 61 mm high, the compact size increases freedom of placement.

		
Brand	TEAC	
Series	Reference 301	
Model Name	PD-301-S	PD-301-B
Color	Silver	Black
Release Date(Japan)	18, November 2015	
Estimated Delivery Date	Early December 2015	
Product Dimensions Weight	215 x 61 x 232mm / 8.5" x 2.4" x 9.1" (W x H x D) 2.1kg / 4.6 lbs.	
Package Dimensions GW	368 x 152 x 309mm / 14.5" x 6" x 12.2" (W x H x D) 3.2kg / 7.1 lbs.	

PD-301-S (Silver) is available in limited countries.

■ **Overview**

The PD-301 is a compact CD player that incorporates a tuner that supports FM frequencies and a USB port that enables playback from USB flash drives.

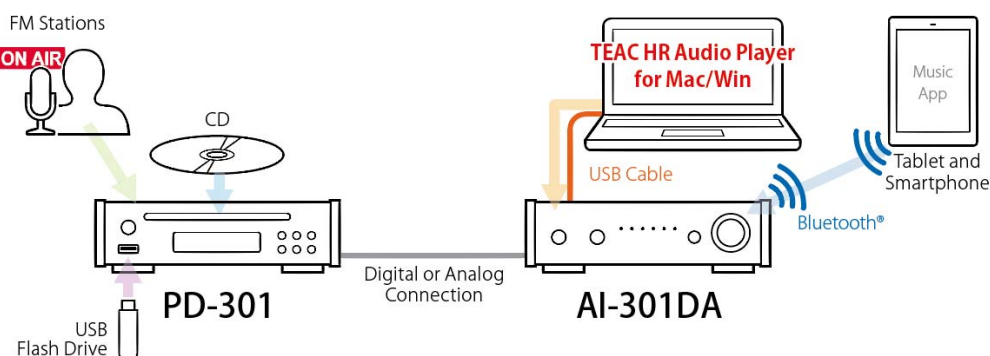
A slot-in drive mechanism, which has a record of use in professional equipment, is used for the crucial CD player drive. Not only can you use this unit as a simple high-quality CD player, you can also use it as a CD transport in combination with a separate D/A converter connected to its coaxial or optical digital output. In addition, WAV, AAC, MP3 and WMA files can be played back from USB flash drives connected to the USB port on the front of the unit. Moreover, the built-in FM tuner supports RDS.

Furthermore, used in combination with an AI-301DA pre-main amplifier from the 301 Reference Series, you can create a compact desktop audio system that allows you to play high-resolution audio from a computer, listen to FM programming, and even enjoy wireless playback of high-quality audio from a smartphone or tablet with Bluetooth® that supports aptX®.



■ **Combine with an AI-301DA and LS-301 speakers to create a compact Hi-Res system**

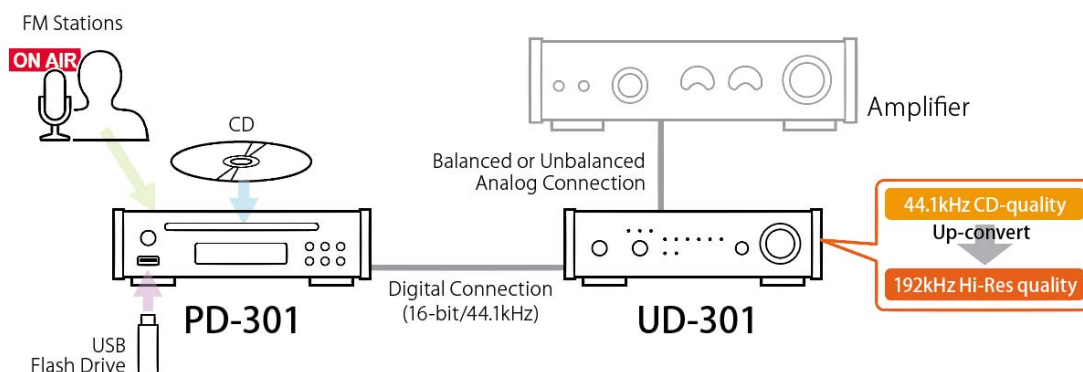
The PD-301 can be combined with an AI-301DA pre-main amplifier (also from the 301 Reference Series) that has a USB DAC and allows aptX® Bluetooth input. Together they form a compact high-resolution system that allows USB audio input from a computer and wireless playback from smartphones and tablets while also supporting CDs and USB flash drives as well as a wide range of FM frequencies.



■ **Combine with a UD-301 for a high-precision CD player system**

By connecting this model digitally to a UD-301, which is a USB DAC with a dual mono structure in the same 301 Reference Series, you can upconvert the PCM 44.1kHz/16-bit digital data of your CDs to 192 kHz. By conducting D/A processing after converting to a higher-precision digital signal, a smoother analog signal can be output.

Furthermore, in addition to RCA unbalanced outputs, the UD-301 has XLR balanced outputs, so it is possible to incorporate it into a more advanced system with a hi-fi amplifier that has balanced inputs.



■ A CD player, a USB flash drive playback function and an FM tuner are combined in a compact format

● Slot-in CD drive mechanism that enables quick loading and automatic playback

The CD drive utilizes a compact high-precision slot-in CD drive mechanism. The drive, which was designed especially for audio and has a record of being used in professional equipment, is capable of loading quickly. The automatic playback function, which automatically starts playback after a CD is loaded, allows you to enjoy music soon after inserting the CD into the slot.



● Supports playback of MP3, WMA, AAC and WAV files

WAV (USB only), AAC (USB only), MP3 and WMA files can be played back from USB flash drives and CD-R and CD-RW discs. The song name and artist can be shown on the unit's display during playback of MP3, WMA and AAC files.* (Notes: This is only possible when files have ID3 tags.)



● High-precision digital- audio converter

A Burr-Brown PCM5142 D/A converter, which has an established reputation and is made by Texas Instruments, is used to convert the digital audio signals read from CDs and USB flash drives to analog.



● Coaxial and optical digital outputs also allow digital output of FM broadcasts

In addition to analog outputs, coaxial and optical S/PDIF digital outputs (one each), which are used widely, are built-in. By connecting an AI-301DA, UD-301 or other component that is capable of S/PDIF digital input, you can also use this unit as a transport that transmits pure digital signals. By using a D/A converter that is even higher precision, you can enjoy listening to your favorite CDs with an even higher level of audio quality. Furthermore, audio received with the FM radio tuner can also be output as S/PDIF digital signals. (Note: Digital output is at 44.1 kHz/16-bit regardless of the playback format and source.)

● FM tuner supports RDS (UK/Europe Model only)

The Radio Data System (RDS) is a broadcasting service that allows stations to send additional information along with the regular radio program signal.

● Solid aluminum body and compact installation space

Aluminum panels have been used for the exterior. While maintaining the elegance of a traditionally styled hi-fi component, the all-metal chassis provides a solid body with excellent vibration control, minimizing the effect of vibrations on audio quality. With the 501 Series, we advanced the concept of compact high-performance audio devices that can be placed even on desktops, and we have further developed this with the 301 Series. The body, which has been restricted to a width of 215 mm, enables even greater freedom of placement



● Included remote control with number pad convenient for selecting tracks

A remote control with a number pad that is convenient for selecting tracks is included.

The AI-301DA remote can also control the basic functions of the PD-301.



■ Features at-a-glance

- Slot-in CD drive (CD-DA, CD-ROM/R/RW)
- FM tuner supports RDS (UK/Europe model only)
- Automatic playback (on/off switchable)
- Playback of WAV, AAC*, MP3 and WMA files from CDs and USB flash drives
- Program playback (CD DA only)
- Random and repeat playback (CD DA only)
- File ID3 tag data display (song and artist names)
- Switchable folder and file browsing mode
- USB-A input connector (for playback of files from USB flash drives)
- One coaxial digital output connector
- One optical digital output connector
- One RCA stereo line output connector pair
- Compact dedicated remote control included
- Inverted-F antenna connector for FM radio
- All-aluminum enclosure
- Automatic power saving (on/off switchable)

Note: WAV and AAC files can only be played from USB flash drives.

■ Specifications

CD Player

Supported Playback Disc	CD-DA, CD-ROM/R/RW* (Supports CD-RW discs in CD-DA format only) ISO9660 LEVEL 1/2/JOLIET, 8cm CD not supported
Supported File Format	PCM (CD-DA), MP3, WMA
PCM (CD-DA)	16-bit, 44.1kHz
MP3	32k to 320kbps or VBR, 16k/220.5k/24k/32k/44.1k/48kHz, MPEG-1/2 Audio Layer-3
WMA	32k to 320kbps or VBR, 8k/11.025k/16k/22.05k/32k/44.1k/48kHz, WMA Ver.9 (DRM not supported)
Maximum number of files	300 (including folders)
Maximum number of folders	50

USB

Supported Media	USB mass storage device class
Interface Compatibility	USB 2.0 (Full speed) USB 1.1 (High speed) USB3.0
Supported File Systems	FAT16, FAT32
Supported File Formats	WAV, AAC, MP3, WMA
WAV	16-bit, 44.1k/48kHz
AAC	32k to 320kbps or VBR, 8k/11.025k/12k/16k/22.05k/24k/32k//44.1k/48kHz, MPEG-4 AAC-LC (Audio Stream)
MP3	32k to 320kbps or VBR, 16k/220.5k/24k/32k/44.1k/48kHz, MPEG-1/2 Audio Layer-3
WMA	32k to 320kbps or VBR, 8k/11.025k/16k/22.05k/32k/44.1k/48kHz, WMA Ver.9 (DRM not supported)
Maximum number of files	300 (including folders)
Maximum number of folders	50
USB Output Power	DC 5V, 500mA (max.)

Tuner

Band	FM
Frequency Range (FM)	76.0 to 108.0MHz
Number of Presets	20 Stations

Audio Outputs

Analog Audio	RCA x 1 pair
Output Impedance	470 ohms or less
Maximum Output Level	2.0Vrms (1kHz/full-scale, into 10k ohms)
Frequency Response	20Hz to 20kHz (-3dB)
Signal-to-Noise Ratio	113dB
Total Harmonic	0.005% (1kHz)
Coaxial Digital	RCA × 1
Output Impedance	75 ohms
Output Level	0.5Vp-p
Optical Digital	TOS-link × 1 (JEITA RC-5720C)
Sampling Frequency	44.1kHz
Quantization Bit Depth	16-bit

General

Operating Power	
UK/Europe model	AC 220–240V, 50Hz
US/Canada model	AC 120V, 60Hz
Power Consumption	8 W
Overall Dimensions	8.5" x 2.4" x 9.1" / 215 x 61 x 232 mm (W x H x D, including protrusions)
Weight	4.6 lbs. / 2.1 kg
Operating temperature	+5° C to +35° C
Operating humidity	5% to 85% (no condensation)
Storage temperature	-20° C to +55° C
Included Accessories	AC adapter (GPE015A-120125-D) × 1 Power cord for AC adapter × 1 RCA audio cable × 1 Remote control (RC-1323) × 1 Batteries for remote control (AAA) × 2 FM antenna × 1 Owner's manual (this document) × 1

Specifications and appearance are subject to change without notice.
Weight and dimensions are approximate.

■ Rear Panel

